

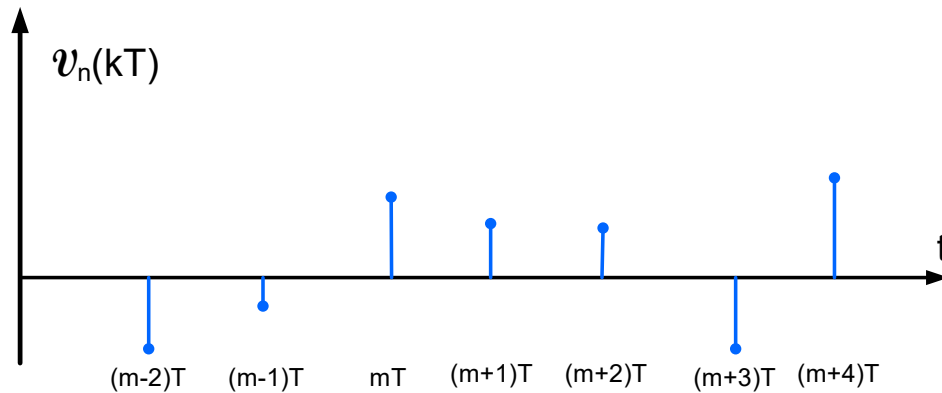
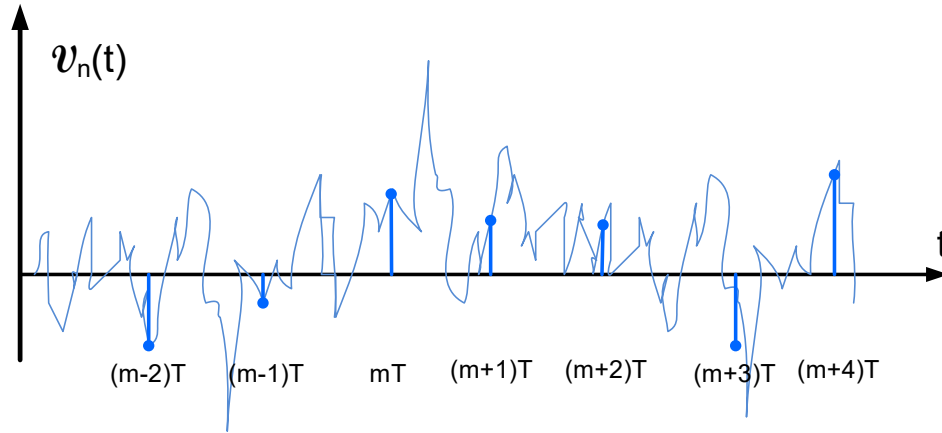
# EE 435

## Lecture 39

### Statistical Characterization of Data Converters

# Sample and Hold Circuits

T is the period of the sampler



$v_n(mT)$  is a discrete-time sequence obtained by sampling continuous-time noise waveform

RMS value of noise input to pipelined ADC is that of the discrete time noise sequence

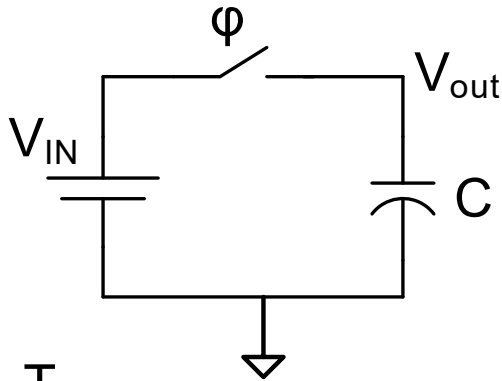
## Review from Last Lecture

**Theorem 1** If  $\mathcal{V}(t)$  is a continuous-time zero-mean noise source and  $\langle \mathcal{V}(kT) \rangle$  is a sampled version of  $\mathcal{V}(t)$  sampled at times  $T, 2T, \dots$  then the RMS value of the continuous-time waveform is the same as that of the sampled version of the waveform. This can be expressed as  $\mathcal{V}_{\text{RMS}} = \hat{\mathcal{V}}_{\text{RMS}}$

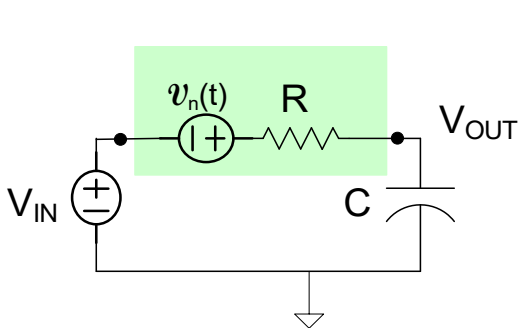
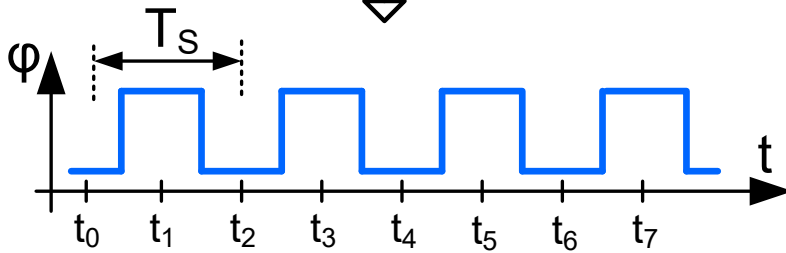
**Theorem 2** If  $\mathcal{V}(t)$  is a continuous-time zero-mean noise signal and  $\langle \mathcal{V}(kT) \rangle$  is a sampled version of  $\mathcal{V}(t)$  sampled at times  $T, 2T, \dots$  then the standard deviation of the random variable  $\mathcal{V}(kT)$ , denoted as  $\sigma_{\hat{\mathcal{V}}}$  satisfies the expression  $\sigma_{\hat{\mathcal{V}}} = \mathcal{V}_{\text{RMS}} = \hat{\mathcal{V}}_{\text{RMS}}$

From Theorem 1 we obtain the RMS value of the switched capacitor sampler

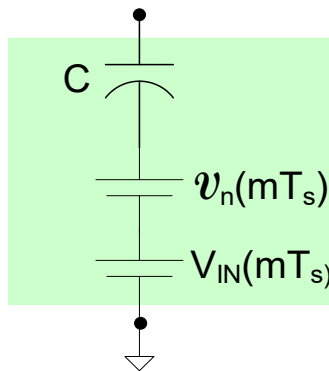
# Sample and Hold Circuits



$$v_{n_{RMS}} = \sqrt{\int_{f=0}^{\infty} S_{V_{OUT}} df} = \sqrt{\frac{kT}{C}}$$



Track mode



Hold mode

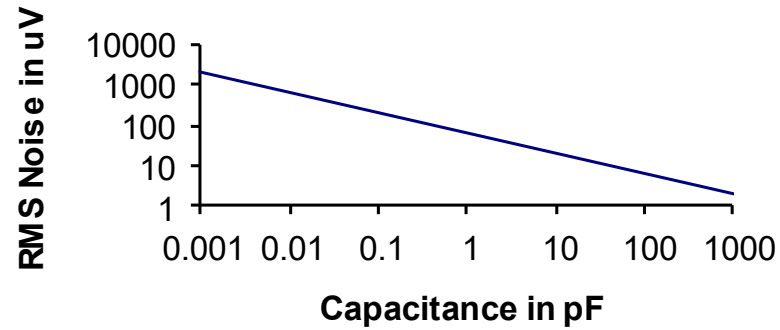
$$v_{n_{RMS}} = \sqrt{\frac{kT}{C}}$$

k: Boltzmann's constant  
T: temperature in Kelvin

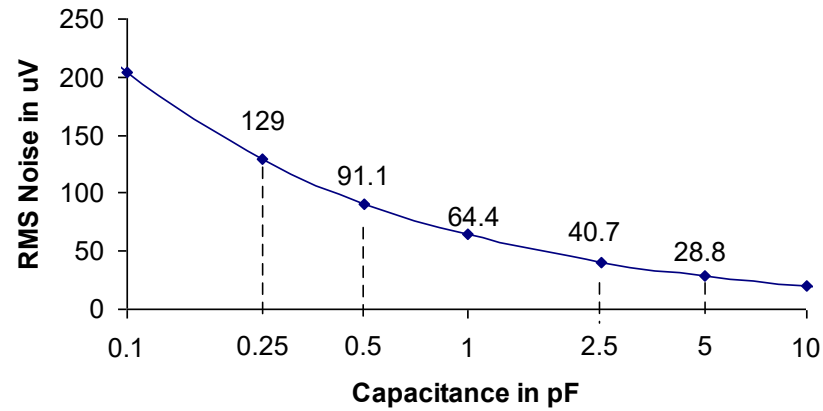
RMS noise at output of basic SC S/H is independent of R but dependent upon C

# Review from Last Lecture

### "kT/C" Noise at T=300K



### "kT/C" Noise at T=300K



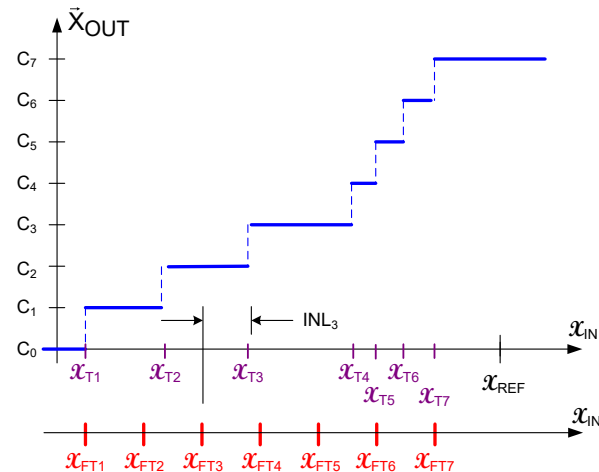
# Integral Nonlinearity (ADC)

## Nonideal ADC

Break-point INL definition

$$INL_k = \frac{x_{Tk} - x_{FTk}}{x_{LSB}} \quad 1 \leq k \leq N-2$$

$$INL = \max_{2 \leq k \leq N-2} \{|INL_k|\}$$



- At design stage, INL characterized by standard deviation of many random variables
- Closed-form expressions for INL almost never exist because PDF of order statistics of correlated random variables is extremely complicated
- Simulation of INL very time consuming if n is very large (large sample size required to establish reasonable level of confidence)
  - Model parameters become random variables
  - Process parameters affect multiple model parameters causing model parameter correlation
  - Simulation times can become very large

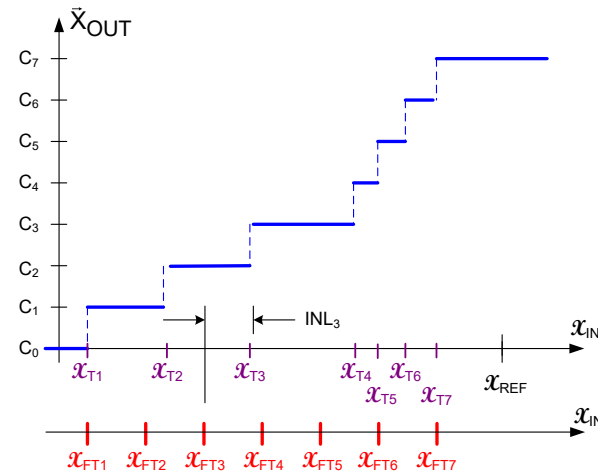
# Integral Nonlinearity (ADC)

## Nonideal ADC

Break-point INL definition

$$INL_k = \frac{x_{Tk} - x_{FTk}}{x_{LSB}} \quad 1 \leq k \leq N-2$$

$$INL = \max_{2 \leq k \leq N-2} \{|INL_k|\}$$



- INL can be readily measured in laboratory but often dominates test costs because of number of measurements needed when n is large
- Expected value of  $INL_k$  at  $k=(N-1)/2$  is largest for many architectures
- INL of  $\frac{x_{LSB}}{2}$  often considered acceptable (this is the ideal value of the continuous-input INL

definition though many high-speed ADCs and some lower-speed structures will have an INL that exceeds this )

- Major effort in ADC design is in obtaining an INL acceptable yield !
- Yield often strongly dependent upon matching of random variables !

# Characteristics of Data Converters Dominantly Depend Upon Random Variables

- Static characteristics
  - Resolution
  - Least Significant Bit (LSB)
  - Offset and Gain Errors
  - Absolute Accuracy
  - Relative Accuracy
  - Integral Nonlinearity (INL)
  - Differential Nonlinearity (DNL)
  - Monotonicity (DAC)
  - Missing Codes (ADC)
  - Quantization Noise
  - Low-f Spurious Free Dynamic Range (SFDR)
  - Low-f Total Harmonic Distortion (THD)
  - Effective Number of Bits (ENOB)
  - Power Dissipation



# Characteristics of Data Converters Dominantly Depend Upon Random Variables

- Dynamic characteristics
  - Conversion Time or Conversion Rate (ADC)
  - Settling time or Clock Rate (DAC)
  - Sampling Time Uncertainty (aperture uncertainty or aperture jitter)
  - Dynamic Range
  - Spurious Free Dynamic Range (SFDR)
  - Total Harmonic Distortion (THD)
    - Signal to Noise Ratio (SNR)
  - Signal to Noise and Distortion Ratio (SNDR)
  - Sparkle Characteristics
  - Effective Number of Bits (ENOB)

# Methods of Characterizing how Random Variables Affect Performance

- Analytical Statistical Formulation and Analysis
- MATLAB Simulations (often using Monte-Carlo Analysis)
- Spectre/Spice Monte-Carlo Simulations
- Ignore Effects of Random Effects

How important is statistical characterization of data converters?

# How important is statistical analysis?

Example: 7-bit FLASH ADC with R-string DAC

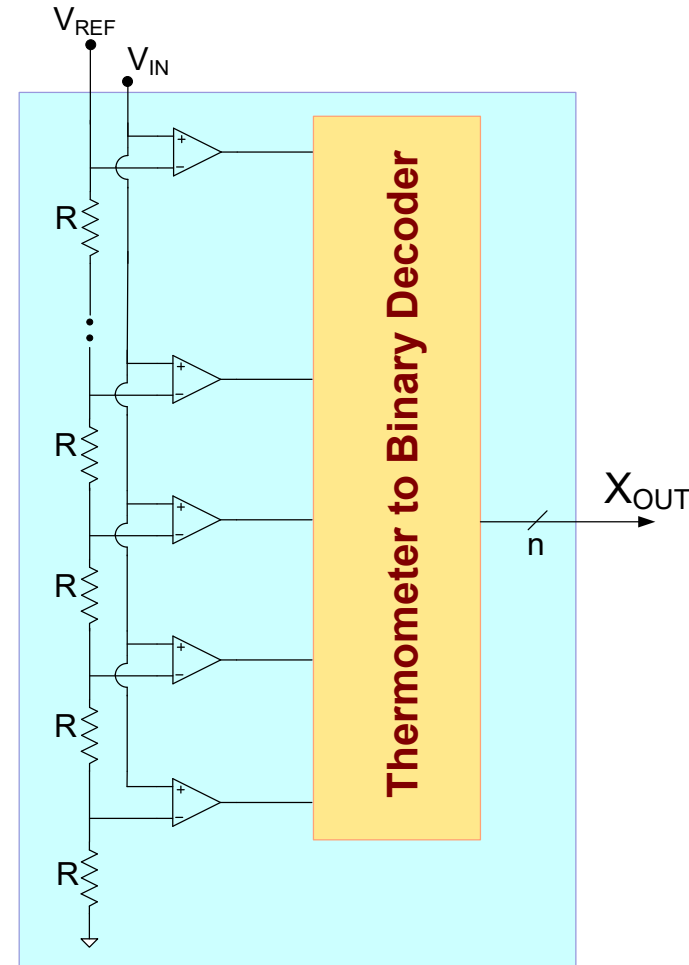
Assume R-string is ideal,  $V_{REF}=1V$  and  $V_{OS}$  for each comparator must be at most  $\pm \frac{1}{2}$  LSB

Why this assumption?

Note: this is a much different performance requirement than requiring that  $INL < \frac{1}{2}$  LSB and would not be part of a standard specification but we will see that it is analytical tractable and gives an appreciation for the importance of statistical analysis

Case 1

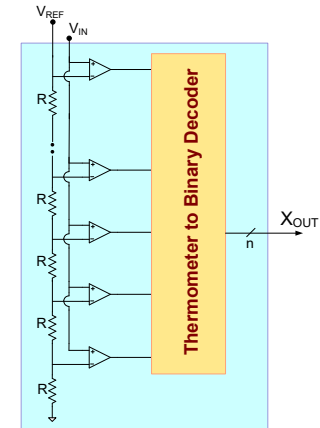
Determine the yield if  $V_{OS}$  has a Gaussian distribution (Normal) with zero mean and a standard deviation of 5mV



# How important is statistical analysis?

Example: 7-bit FLASH ADC with R-string DAC

Assume R-string is ideal,  $V_{REF}=1V$  and  $V_{OS}$  for each comparator must be at most  $\pm 1/2$  LSB



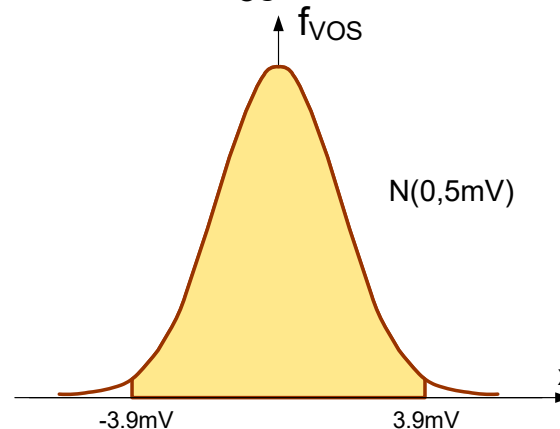
Case 1

Determine the yield if  $V_{OS}$  has a Gaussian distribution (Normal) with zero mean and a standard deviation of 5mV

$$1/2 \text{ LSB} = 1V/(2^{(7+1)})=3.9mV$$

The probability that a single comparator meets the  $V_{OS}$  requirement is given by

$$P_{COMP} = \int_{-3.9mV}^{3.9mV} f_{VOS} dV$$



# How important is statistical analysis?

Example: 7-bit FLASH ADC with R-string DAC  
 Assume  $V_{OS}$  is zero-mean gaussian

Case 1  $\sigma_{V_{OS}}=5mV$

$$P_{COMP} = \int_{-3.9mV}^{3.9mV} f_{V_{OS}} dV$$

Define  $X_N = V_{OS} / \sigma$       Since  $\mu=0$ , this will make  $X_N : N(0,1)$

$$P_{COMP} = \int_{-X_N}^{X_N} f_N dx$$

$f_N$  and  $F_N$  are pdf and cdf of  $N(0,1)$  RV

$$X_N = 3.9mV / 5mV = 0.78$$

$$P_{COMP} = \int_{-0.78}^{0.78} f_N dx$$

$$P_{COMP} = 2 \cdot F_N(0.78) - 1$$

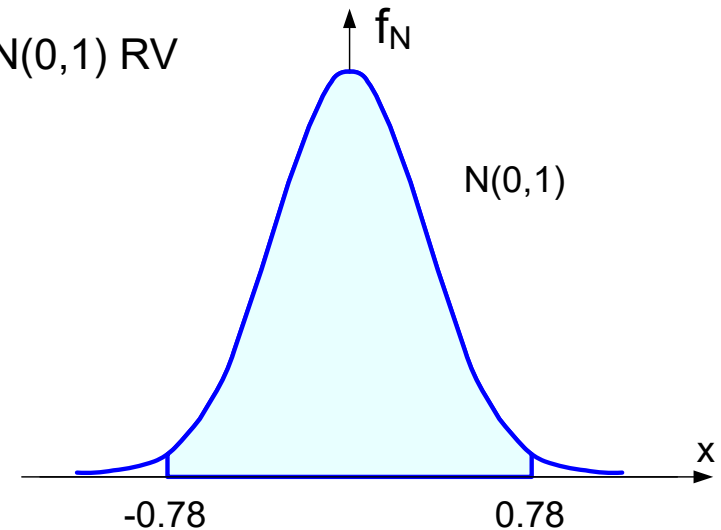
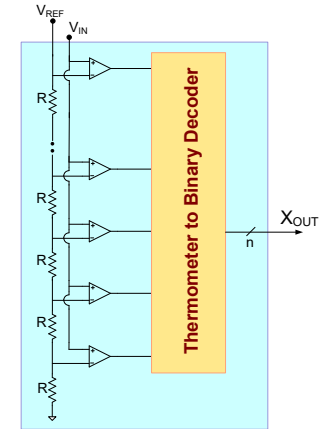


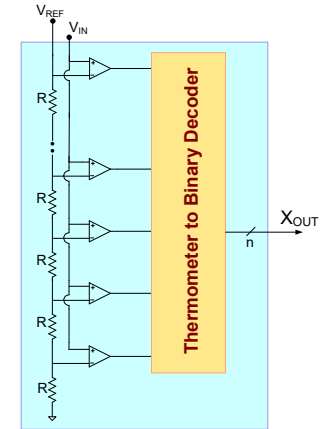
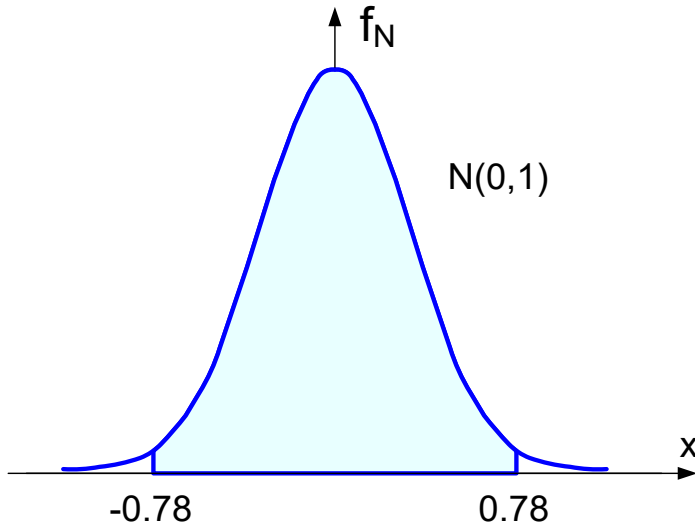
Table of CDF for N(0,1) Random Variables

z	0.00	0.01	0.02	0.03	0.04	0.05	0.06	0.07	0.08	0.09
0.0	0.5000	0.5040	0.5080	0.5120	0.5160	0.5199	0.5239	0.5279	0.5319	0.5359
0.1	0.5398	0.5438	0.5478	0.5517	0.5557	0.5596	0.5636	0.5675	0.5714	0.5753
0.2	0.5793	0.5832	0.5871	0.5910	0.5948	0.5987	0.6026	0.6064	0.6103	0.6141
0.3	0.6179	0.6217	0.6255	0.6293	0.6331	0.6368	0.6406	0.6443	0.6480	0.6517
0.4	0.6554	0.6591	0.6628	0.6664	0.6700	0.6736	0.6772	0.6808	0.6844	0.6879
0.5	0.6915	0.6950	0.6985	0.7019	0.7054	0.7088	0.7123	0.7157	0.7190	0.7224
0.6	0.7257	0.7291	0.7324	0.7357	0.7389	0.7422	0.7454	0.7486	0.7517	0.7549
0.7	0.7580	0.7611	0.7642	0.7673	0.7703	0.7734	0.7764	0.7794	0.7823	0.7852
0.8	0.7881	0.7910	0.7939	0.7967	0.7995	0.8023	0.8051	0.8078	0.8106	0.8133
0.9	0.8159	0.8186	0.8212	0.8238	0.8264	0.8289	0.8315	0.8340	0.8365	0.8389
1.0	0.8413	0.8438	0.8461	0.8485	0.8508	0.8531	0.8554	0.8577	0.8599	0.8621
1.1	0.8643	0.8665	0.8686	0.8708	0.8729	0.8749	0.8770	0.8790	0.8810	0.8830
1.2	0.8849	0.8869	0.8888	0.8907	0.8925	0.8944	0.8962	0.8980	0.8997	0.90147
1.3	0.90320	0.90490	0.90658	0.90824	0.90988	0.91149	0.91309	0.91466	0.91621	0.91774
1.4	0.91924	0.92073	0.92220	0.92364	0.92507	0.92647	0.92785	0.92922	0.93056	0.93189
1.5	0.93319	0.93448	0.93574	0.93699	0.93822	0.93943	0.94062	0.94179	0.94295	0.94408
1.6	0.94520	0.94630	0.94738	0.94845	0.94950	0.95053	0.95154	0.95254	0.95352	0.95449
1.7	0.95543	0.95637	0.95728	0.95818	0.95907	0.95994	0.96080	0.96164	0.96246	0.96327
1.8	0.96407	0.96485	0.96562	0.96638	0.96712	0.96784	0.96856	0.96926	0.96995	0.97062
1.9	0.97128	0.97193	0.97257	0.97320	0.97381	0.97441	0.97500	0.97558	0.97615	0.97670
2.0	0.97725	0.97778	0.97831	0.97882	0.97932	0.97982	0.98030	0.98077	0.98124	0.98169
2.1	0.98214	0.98257	0.98300	0.98341	0.98382	0.98422	0.98461	0.98500	0.98537	0.98574
2.2	0.98610	0.98645	0.98679	0.98713	0.98745	0.98778	0.98809	0.98840	0.98870	0.98899
2.3	0.98928	0.98956	0.98983	0.9 <sup>2</sup> 0097	0.9 <sup>2</sup> 0358	0.9 <sup>2</sup> 0613	0.9 <sup>2</sup> 0863	0.9 <sup>2</sup> 1106	0.9 <sup>2</sup> 1344	0.9 <sup>2</sup> 1576
2.4	0.9 <sup>2</sup> 1802	0.9 <sup>2</sup> 2024	0.9 <sup>2</sup> 2240	0.9 <sup>2</sup> 2451	0.9 <sup>2</sup> 2656	0.9 <sup>2</sup> 2857	0.9 <sup>2</sup> 3053	0.9 <sup>2</sup> 3244	0.9 <sup>2</sup> 3431	0.9 <sup>2</sup> 3613
2.5	0.9 <sup>2</sup> 3790	0.9 <sup>2</sup> 3963	0.9 <sup>2</sup> 4132	0.9 <sup>2</sup> 4297	0.9 <sup>2</sup> 4457	0.9 <sup>2</sup> 4614	0.9 <sup>2</sup> 4766	0.9 <sup>2</sup> 4915	0.9 <sup>2</sup> 5060	0.9 <sup>2</sup> 5201
2.6	0.9 <sup>2</sup> 5339	0.9 <sup>2</sup> 5473	0.9 <sup>2</sup> 5604	0.9 <sup>2</sup> 5731	0.9 <sup>2</sup> 5855	0.9 <sup>2</sup> 5975	0.9 <sup>2</sup> 6093	0.9 <sup>2</sup> 6207	0.9 <sup>2</sup> 6319	0.9 <sup>2</sup> 6427
2.7	0.9 <sup>2</sup> 6533	0.9 <sup>2</sup> 6636	0.9 <sup>2</sup> 6736	0.9 <sup>2</sup> 6833	0.9 <sup>2</sup> 6928	0.9 <sup>2</sup> 7020	0.9 <sup>2</sup> 7110	0.9 <sup>2</sup> 7197	0.9 <sup>2</sup> 7282	0.9 <sup>2</sup> 7365
2.8	0.9 <sup>2</sup> 7445	0.9 <sup>2</sup> 7523	0.9 <sup>2</sup> 7599	0.9 <sup>2</sup> 7673	0.9 <sup>2</sup> 7744	0.9 <sup>2</sup> 7814	0.9 <sup>2</sup> 7882	0.9 <sup>2</sup> 7948	0.9 <sup>2</sup> 8012	0.9 <sup>2</sup> 8074
2.9	0.9 <sup>2</sup> 8134	0.9 <sup>2</sup> 8193	0.9 <sup>2</sup> 8250	0.9 <sup>2</sup> 8305	0.9 <sup>2</sup> 8359	0.9 <sup>2</sup> 8411	0.9 <sup>2</sup> 8462	0.9 <sup>2</sup> 8511	0.9 <sup>2</sup> 8559	0.9 <sup>2</sup> 8605
3.0	0.9 <sup>2</sup> 8650	0.9 <sup>2</sup> 8694	0.9 <sup>2</sup> 8736	0.9 <sup>2</sup> 8777	0.9 <sup>2</sup> 8817	0.9 <sup>2</sup> 8856	0.9 <sup>2</sup> 8893	0.9 <sup>2</sup> 8930	0.9 <sup>2</sup> 8965	0.9 <sup>2</sup> 8999

# How important is statistical analysis?

Example: 7-bit FLASH ADC with R-string DAC

$$P_{\text{COMP}} = 2 \cdot F_N(0.78) - 1 = 2 \cdot .7823 - 1 = 0.565$$



Each comparator has 56.5% yield

# How important is statistical analysis?

Example: 7-bit FLASH ADC with R-string DAC

Case 1  $\sigma_{VOS}=5\text{mV}$

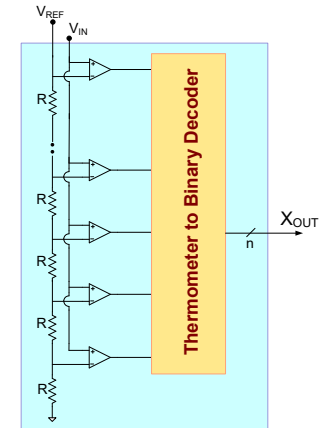
$$P_{\text{COMP}} = 0.565$$

Since all comparators must be good, the ADC yield is

$$Y_{\text{ADC}} = (P_{\text{COMP}})^{127} = (0.565)^{127}$$

$$Y_{\text{ADC}} = 3.2 \cdot 10^{-32}$$

This yield is essentially 0 and a standard deviation of 5mV is even not trivial to obtain with MOS comparators !



The effects of statistical variation can have dramatic effects on yield of data converters !



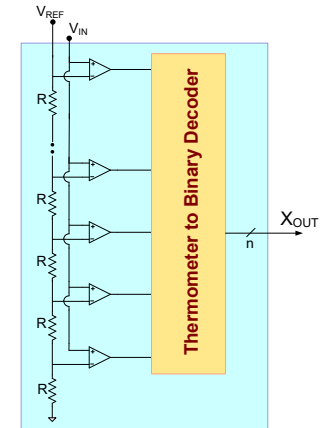
# How important is statistical analysis?

Example: 7-bit FLASH ADC with R-string DAC

Case 1  $\sigma_{V_{OS}}=5\text{mV}$

Since all comparators must be good, the ADC yield is

$$Y_{\text{ADC}}=3.2 \cdot 10^{-32}$$



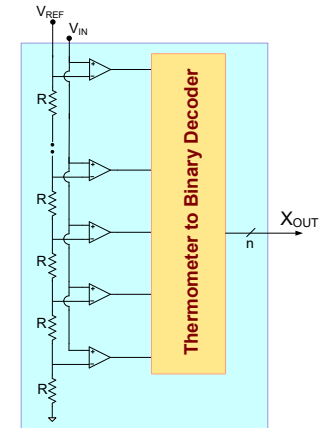
Note: The specification in this example that requires no comparator has an offset voltage of larger than  $0.5\text{LSB}$  may not be a good performance specification as the FLASH ADC may actually perform reasonably well even if some comparators have an offset that is larger than  $0.5\text{LSB}$ . A more useful requirement might be that there be no bubbles in the thermometer code output. Certainly if all comparators have an offset that is at most  $0.5\text{LSB}$ , there will be no bubbles in the output code attributable to comparator offset but a modestly weaker constraint can also guarantee there are no bubbles. With the  $0.5\text{LSB}$  assumption, a specification that was dependent upon 127 uncorrelated random variables was obtained which made the analysis quite easy. A “no bubble” specification could be approximated by stating that the maximum of the 127  $V_{OSk}-V_{OSk-1}$  must be less than  $V_{LSB}$ . This becomes an order statistic of 127 Gaussian random variables which is analytically intractable.

# How important is statistical analysis?

Example: 7-bit FLASH ADC with R-string DAC

Case 2 Repeat the previous example if  $\sigma_{V_{OS}}=1\text{mV}$

Assume R-string is ideal,  $V_{REF}=1\text{V}$  and  $V_{OS}$  for each comparator must be at most  $\pm 1/2$  LSB



$$P_{COMP} = \int_{-3.9\text{mV}}^{3.9\text{mV}} f_{V_{OS}} dV \quad \longrightarrow \quad X_N = 3.9\text{mV}/1\text{mV} = 3.9$$

$$P_{COMP} = \int_{-3.9}^{3.9} f_N dx \quad P_{COMP} = 2 \cdot F_N(3.9) - 1 = 2 \cdot 0.999952 - 1 = 0.999904$$

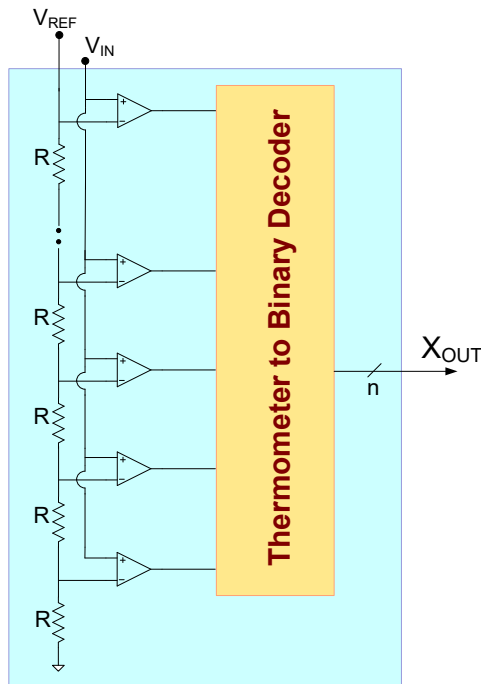
$$Y_{ADC} = (P_{COMP})^{127} = (0.999904)^{127}$$

$$Y_{ADC} = 0.988$$

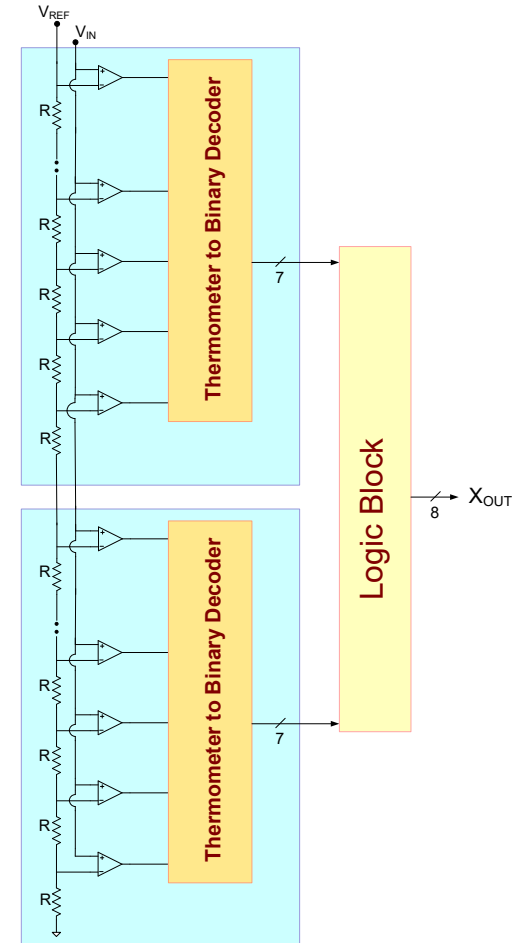
This modest change in the offset voltage has increased the yield to 98.8%

# How important is statistical analysis?

Example: What will be the yield if two of the 7-bit FLASH ADCs with yields of 98.8% are combined to obtain an 8-bit ADC?



$$Y_{\text{ADC}} = 98.8\%$$

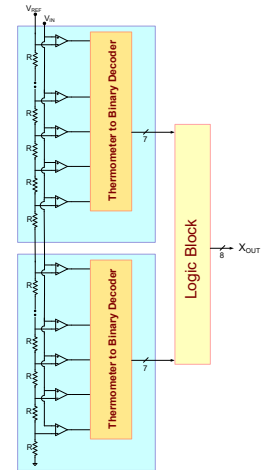


$$Y_{\text{ADC}} = ?$$

# How important is statistical analysis?

Example: What will be the yield if two of the 7-bit FLASH ADCs with yields of 98.8% are combined to obtain an 8-bit ADC?

Since one additional bit has been added,  $V_{LSB}$  will decrease From 7.8mV to 3.9mV. Thus  $\frac{1}{2}$  LSB will be reduced to 1.95mV



$$P_{COMP} = \int_{-1.95mV}^{1.95mV} f_{VOS} dV$$

With the same  $\sigma_{VOS}=1mV$ ,

$$X_N = 1.95mV / 1mV = 1.95$$

$$P_{COMP} = \int_{-1.95}^{1.95} f_N dx \quad P_{COMP} = 2 \cdot F_N(1.95) - 1 = 2 \cdot 0.97441 - 1 = 0.9488$$

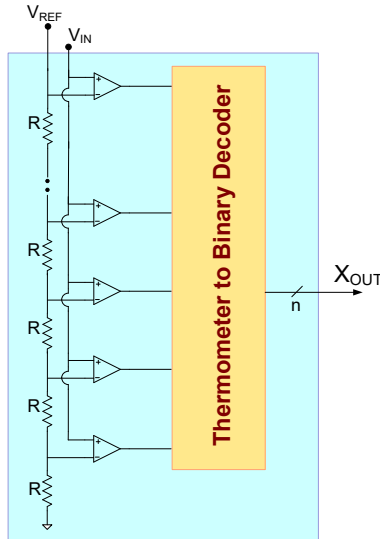
$$Y_{ADC} = (P_{COMP})^{255} = (0.9488)^{255}$$

$$Y_{ADC} = 1.52 \cdot 10^{-6}$$

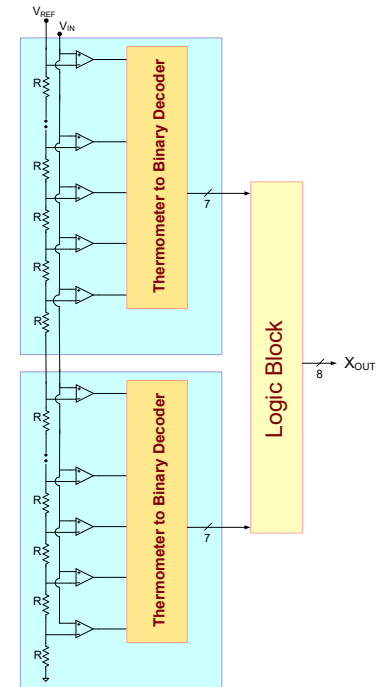
This seemingly simple extension of a circuit with a very high yield has essentially no yield !

# How important is statistical analysis?

Example: What will be the yield if two of the 7-bit FLASH ADCs with yields of 98.8% are combined to obtain an 8-bit ADC?



$$Y_{\text{ADC}} = 98.8\%$$



$$Y_{\text{ADC}} = 1.52 \cdot 10^{-6}$$

- The onset of statistically-induced yield loss can be abrupt
- Intuition is not an acceptable substitute to statistical analysis
- Without statistical analysis/simulation there is a high probability that a data converter will be substantially over designed or under designed and neither is acceptable

# Statistical Modeling of Random Variations

For the effects of local random variations of a parameter  $X$ , generally

$$\sigma_X \propto \frac{A_0}{\sqrt{A_C}}$$

where  $A_C$  is the area of the matching critical components and  $A_0$  is a process parameter

# Importance of statistical analysis – example

What changes in area would be needed to decrease  $\sigma_{VOS}$  from 5mV to 1mV?

$$\sigma_X \propto \frac{A_0}{\sqrt{A_C}}$$

$$\left. \begin{aligned} \sigma_{X_5} &= \theta \frac{A_0}{\sqrt{A_{C_5}}} \\ \sigma_{X_1} &= \theta \frac{A_0}{\sqrt{A_{C_1}}} \end{aligned} \right\}$$



$$\frac{\sigma_{X_5}}{\sigma_{X_1}} = \frac{\sqrt{A_{C_1}}}{\sqrt{A_{C_5}}} = 5$$

$$A_{C_1} = 25A_{C_5}$$

# Equivalent Number of Bits (ENOB)

- Often the performance of an  $n$ -bit commercial data converter is not commensurate with that of an ideal  $n$ -bit data converter but more like that of an  $n-k$  bit data converter
- The equivalent number of bits (ENOB) is often used to characterize the actual level of performance
- Different ENOB definitions depending upon which characterization parameter is of interest (e.g. INL, SFDR, SNR, ...)



# INL-based ENOB

(Review from Lecture 26 Spring 2021)

Consider initially the continuous INL definition for an ADC where the INL of an ideal ADC is  $X_{\text{LSB}}/2$

Assume 
$$\text{INL} = \nu X_{\text{LSBR}} = \nu \frac{X_{\text{REF}}}{2^{n_{\text{R}}}}$$

where  $X_{\text{LSBR}}$  is the LSB based upon the defined resolution,  $n_{\text{R}}$

Define the equivalent LSB by 
$$X_{\text{LSBE}} = \frac{X_{\text{REF}}}{2^{n_{\text{EQ}}}}$$

Thus (substituting for  $X_{\text{REF}}$  into INL expression):

$$\text{INL} = \nu \frac{2^{n_{\text{EQ}}}}{2^{n_{\text{R}}}} X_{\text{LSBE}} = \left[ \nu 2^{n_{\text{EQ}} + 1 - n_{\text{R}}} \right] \frac{X_{\text{LSBE}}}{2}$$

Since an ideal ADC has an INL of  $X_{\text{LSB}}/2$ , Setting term in [ ] to 1, can solve for  $n_{\text{EQ}}$  to obtain

$$\text{ENOB} = n_{\text{EQ}} = \log_2 \left( \frac{1}{2\theta} \right) = n_{\text{R}} - 1 - \log_2(\nu)$$

where  $n_{\text{R}}$  is the defined resolution

(Review from Lecture 26 Spring 2021)

# INL-based ENOB

$$\text{ENOB} = n_R - 1 - \log_2(\nu)$$

Consider an ADC with specified resolution of  $n_R$  and INL of  $\nu$  LSB

$\nu$	ENOB
$\frac{1}{2}$	$n_R$
1	$n_R - 1$
2	$n_R - 2$
4	$n_R - 3$
8	$n_R - 4$
16	$n_R - 5$

Though based upon the continuous-INL definition, often used to define ENOB from INL viewpoint

## FEATURES

75.5 dBFS SNR to 210 MHz at 250 MSPS

90 dBFS SFDR to 300 MHz at 250 MSPS

SFDR at 170 MHz at 250 MSPS

92 dBFS at -1 dBFS

100 dBFS at -2 dBFS

60 fs rms jitter

Excellent linearity at 250 MSPS

DNL = ±0.5 LSB typical

**INL = ±3.5 LSB typical**

2 V p-p to 2.5 V p-p (default) differential full-scale input (programmable)

Integrated input buffer

External reference support option

Clock duty cycle stabilizer

Output clock available

Serial port control

Built-in selectable digital test pattern generation

Selectable output data format

LVDS outputs (ANSI-644 compatible)

1.8 V and 3.3 V supply operation

## APPLICATIONS

Multicarrier, multimode cellular receivers

Antenna array positioning

Power amplifier linearization

Broadband wireless

Radar

Infrared imaging

Communications instrumentation

## FUNCTIONAL BLOCK DIAGRAM

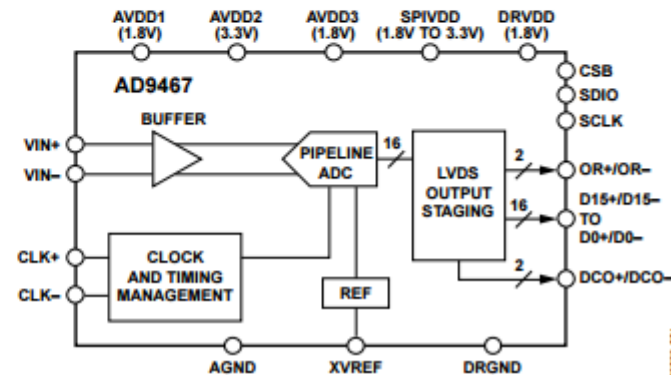


Figure 1.

$$\text{ENOB} = n_R - 1 - \log_2(v) = 16 - 1 - 1.85 \approx 13.15$$

Is this close to 16-bit performance?

A data clock output (DCO) for capturing data on the output is provided for signaling a new output bit.

The internal power-down feature supported via the SPI typically consumes less than 5 mW when disabled.

Optional features allow users to implement various selectable operating conditions, including input range, data format select, and output data test patterns.

The AD9467 is available in a Pb-free, 72-lead, LFCSP specified over the -40°C to +85°C industrial temperature range.

# Can we depend on this “13-bit” INL performance?

## SPECIFICATIONS

AVDD1 = 1.8 V, AVDD2 = 3.3 V, AVDD3 = 1.8 V, DRVDD = 1.8 V, specified maximum sampling rate, 2.5 V p-p differential input, 1.25 V internal reference, AIN = -1.0 dBFS, DCS on, default SPI settings, unless otherwise noted.

Table 1.

Parameter <sup>1</sup>	Temp	Min	Typ	Max	Unit
RESOLUTION		16			Bits
ACCURACY					
No Missing Codes	Full	Guaranteed			
Offset Error	Full	-200	0	+200	LSB
Gain Error	Full	-3.9	-0.1	+2.6	%FSR
Differential Nonlinearity (DNL) <sup>2</sup>	Full	-0.9	±0.5	+1.5	LSB
Integral Nonlinearity (INL) <sup>2</sup>	Full	-12	±3.5	+12	LSB
TEMPERATURE DRIFT					
Offset Error	Full		±0.023		%FSR/°C
Gain Error	Full		±0.036		%FSR/°C
ANALOG INPUTS					
Differential Input Voltage Range (Internal VREF = 1 V to 1.25 V)	Full	2	2.5	2.5	V p-p
Common-Mode Voltage	25°C		2.15		V
Differential Input Resistance	25°C		530		Ω
Differential Input Capacitance	25°C		3.5		pF
Full Power Bandwidth	25°C		900		MHz
XVREF INPUT					
Input Voltage	Full	1		1.25	V
Input Capacitance	Full		3		pF
POWER SUPPLY					
AVDD1	Full	1.75	1.8	1.85	V
AVDD2	Full	3.0	3.3	3.6	V
AVDD3	Full	1.7	1.8	1.9	V
DRVDD	Full	1.7	1.8	1.9	V
I <sub>AVDD1</sub>	Full		567	620	mA
I <sub>AVDD2</sub>	Full		55	61	mA
I <sub>AVDD3</sub>	Full		31	35	mA
I <sub>DRVDD</sub>	Full		40	43	mA
Total Power Dissipation (Including Output Drivers)	Full		1.33	1.5	W
Power-Down Dissipation	Full		4.4	90	mW

<sup>1</sup> See the [AN-835 Application Note](#), *Understanding High Speed ADC Testing and Evaluation*, for a complete set of definitions and how these tests were completed.

<sup>2</sup> Measured with a low input frequency, full-scale sine wave, with approximately 5 pF loading on each output bit.

$$\text{ENOB} = n_R - 1 - \log_2(\nu) = 16 - 1 - 3.58 \approx 11.42$$

From INL viewpoint, performance of marketed parts could be about 4.5 bits less than physical resolution but does have other attractive properties

## AC SPECIFICATIONS

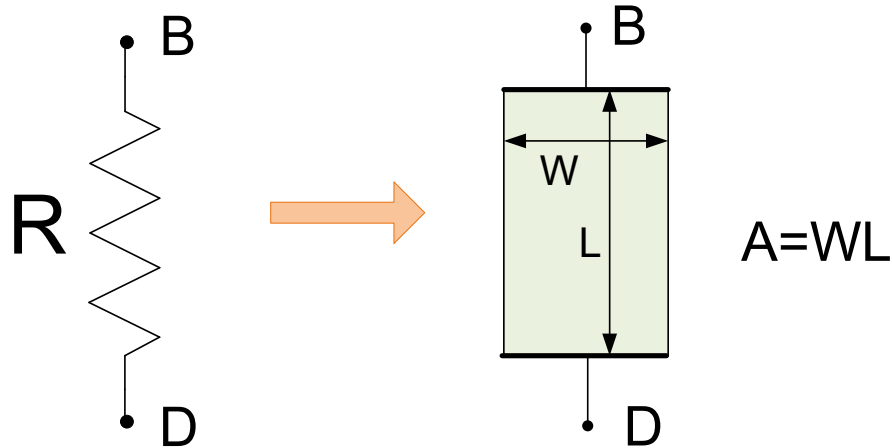
AVDD1 = 1.8 V, AVDD2 = 3.3 V, AVDD3 = 1.8 V, DRVDD = 1.8 V, specified maximum sampling rate, 2.5 V p-p differential input, 1.25 V internal reference, AIN = -1.0 dBFS, DCS on, default SPI settings, unless otherwise noted.

Table 2.

Parameter <sup>1</sup>	Temp	Min	Typ	Max	Unit
ANALOG INPUT FULL SCALE		2.5	2/2.5		V p-p
SIGNAL-TO-NOISE RATIO (SNR)					
$f_{IN} = 5$ MHz	25°C		74.7/76.4		dBFS
$f_{IN} = 97$ MHz	25°C		74.5/76.1		dBFS
$f_{IN} = 140$ MHz	25°C		74.4/76.0		dBFS
$f_{IN} = 170$ MHz	25°C	73.7	74.3/75.8		dBFS
	Full	71.5			dBFS
$f_{IN} = 210$ MHz	25°C		74.0/75.5		dBFS
$f_{IN} = 300$ MHz	25°C		73.3/74.6		dBFS
SIGNAL-TO-NOISE AND DISTORTION RATIO (SINAD)					
$f_{IN} = 5$ MHz	25°C		74.6/76.3		dBFS
$f_{IN} = 97$ MHz	25°C		74.4/76.0		dBFS
$f_{IN} = 140$ MHz	25°C		74.4/76.0		dBFS
$f_{IN} = 170$ MHz	25°C	72.4	74.2/75.8		dBFS
	Full	71.0			dBFS
$f_{IN} = 210$ MHz	25°C		73.9/75.4		dBFS
$f_{IN} = 300$ MHz	25°C		73.1/74.4		dBFS
EFFECTIVE NUMBER OF BITS (ENOB)					
$f_{IN} = 5$ MHz	25°C		12.1/12.4		Bits
$f_{IN} = 97$ MHz	25°C		12.1/12.3		Bits
$f_{IN} = 140$ MHz	25°C		12.1/12.3		Bits
$f_{IN} = 170$ MHz	25°C		12.0/12.3		Bits
	Full	11.5			Bits
$f_{IN} = 210$ MHz	25°C		12.0/12.2		Bits
$f_{IN} = 300$ MHz	25°C		11.9/12.1		Bits
SPURIOUS-FREE DYNAMIC RANGE (SFDR) (INCLUDING SECOND AND THIRD HARMONIC DISTORTION)					
$f_{IN} = 5$ MHz	25°C		98/97		dBFS
$f_{IN} = 97$ MHz	25°C		95/93		dBFS
$f_{IN} = 140$ MHz	25°C		94/95		dBFS
$f_{IN} = 170$ MHz	25°C	82	93/92		dBFS
	Full	82			dBFS
$f_{IN} = 210$ MHz	25°C		93/92		dBFS
$f_{IN} = 300$ MHz	25°C		93/90		dBFS
SFDR (INCLUDING SECOND AND THIRD HARMONIC DISTORTION)					
$f_{IN} = 5$ MHz at -2 dB Full Scale	25°C		100/100		dBFS
$f_{IN} = 97$ MHz at -2 dB Full Scale	25°C		97/97		dBFS
$f_{IN} = 140$ MHz at -2 dB Full Scale	25°C		100/95		dBFS
$f_{IN} = 170$ MHz at -2 dB Full Scale	25°C		100/100		dBFS
$f_{IN} = 210$ MHz at -2 dB Full Scale	25°C		93/93		dBFS
$f_{IN} = 300$ MHz at -2 dB Full Scale	25°C		90/90		dBFS
WORST OTHER (EXCLUDING SECOND AND THIRD HARMONIC DISTORTION)					
$f_{IN} = 5$ MHz	25°C		98/97		dBFS
$f_{IN} = 97$ MHz	25°C		97/93		dBFS
$f_{IN} = 140$ MHz	25°C		97/95		dBFS
$f_{IN} = 170$ MHz	25°C	88	97/93		dBFS
	Full	82			dBFS
$f_{IN} = 210$ MHz	25°C		97/95		dBFS
$f_{IN} = 300$ MHz	25°C		97/95		dBFS

- Can be defined different ways
- Only given as typical
- Only specified at 25C

# Statistical Characterization of Resistors



$$\sigma_{\frac{R}{R_N}} = \frac{A_R}{\sqrt{WL}} = \frac{A_R}{\sqrt{A}}$$

$A_R$  is a process parameter

Note the normalized variance is independent of the resistor value !

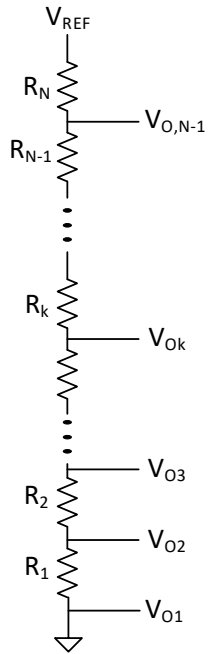
# Ratio Matching Effects in Data Converters

- Ratio matching is often critical in ADCs and DACs
- Accuracy and matching of gains is also critical in some data converters

# String DAC Statistical Performance

$$\text{Recall } \text{INL}_k = V_{\text{OUT}}(k) - V_{\text{FIT}}(k)$$

$$0 \leq k \leq N-1$$



- INL is of considerable interest
- $\text{INL} = \text{Max}(|\text{INL}_k|)$ ,  $0 < k < N-1$
- INL is difficult to characterize analytically so will focus on  $\text{INL}_k$

Assume resistors are uncorrelated RVs but identically distributed, typically zero mean Gaussian



# String DAC Statistical Performance

It can be shown that  $INL_k$  is zero-mean gaussian and

$$\sigma_{INL_k} = \sigma_{\frac{R_R}{R_N}} \sqrt{\frac{(N-k)(k-1)}{N-1}}$$

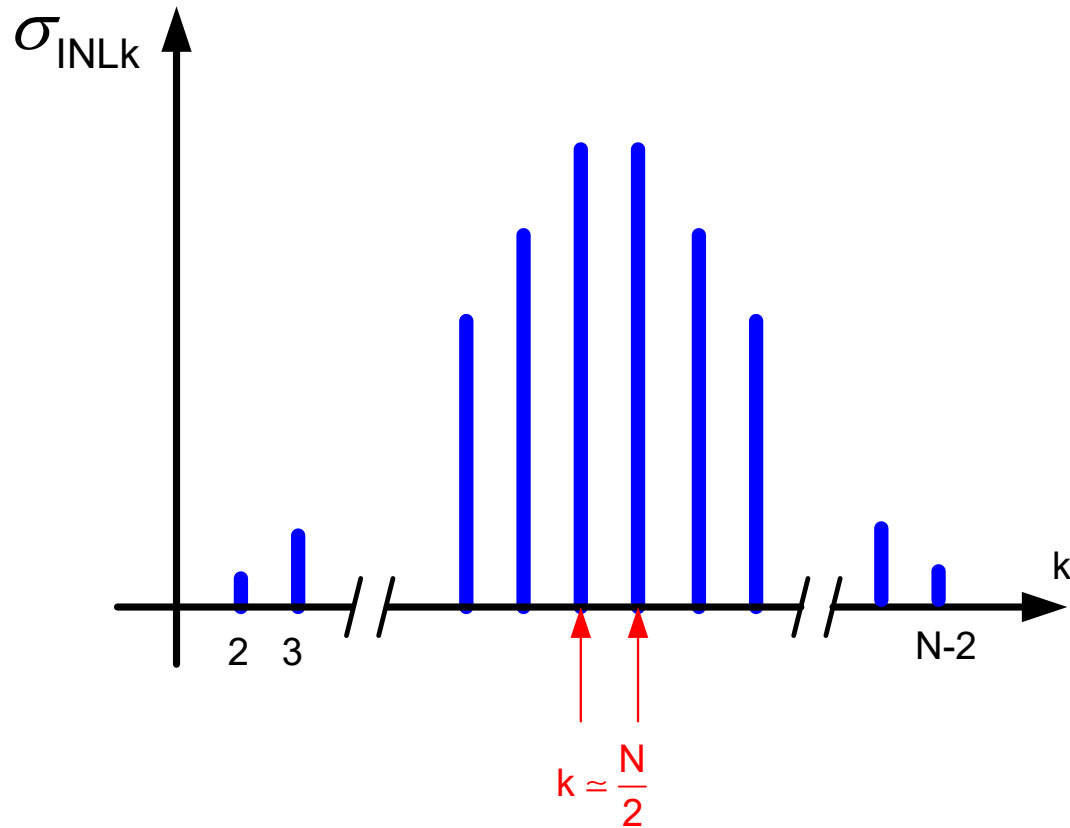
Note this is a nice closed-form expression for the standard deviation of  $INL_k$  for a string DAC !!

Observe this assumes a maximum value at about  $k=N/2$

$$\sigma_{INL_k,MAX} \approx \sigma_{\frac{R_R}{R_N}} \sqrt{\frac{\left(N - \frac{N}{2}\right)\left(\frac{N}{2} - 1\right)}{N-1}} \approx \sigma_{\frac{R_R}{R_N}} \frac{\sqrt{N}}{2}$$

# String DAC Statistical Performance

standard deviation of  $INL_k$  assumes a maximum variance at mid-code

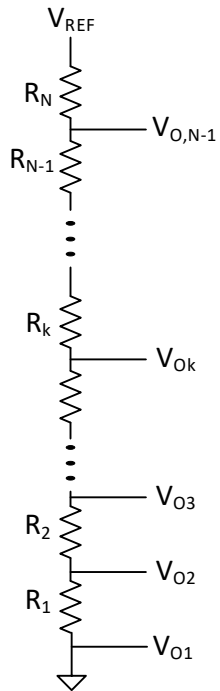


Recall  $INL_k$  is Gaussian and

$$\sigma_{INLk \max} = \sigma \frac{R_R}{R_{NOM}} \frac{\sqrt{N}}{2}$$

# String DAC Statistical Performance

## Example 1:



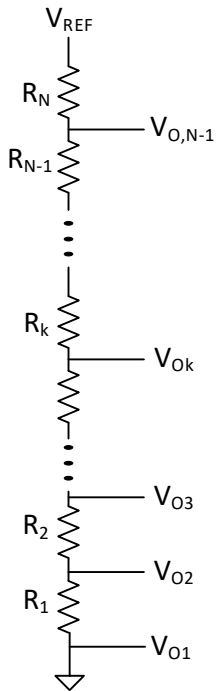
Assume specification for 7-bit String DAC  $|INL_{kMAX}| < 1$  LSB and Pelgrom matching parameter  $A_p = 0.1 \mu\text{m}$

Desired Yield  $Y = 99\%$

Determine the resistor area  $A$  to achieve this yield

# Example 1:

Determine the resistor area  $A$  to achieve this yield



Define  $z = \text{INL}_{\text{kMAX}}$

$$z : N(0, \sigma_z)$$

$$\sigma_z \approx \sigma_{\frac{R}{R_N}} \cdot \frac{\sqrt{N}}{2}$$

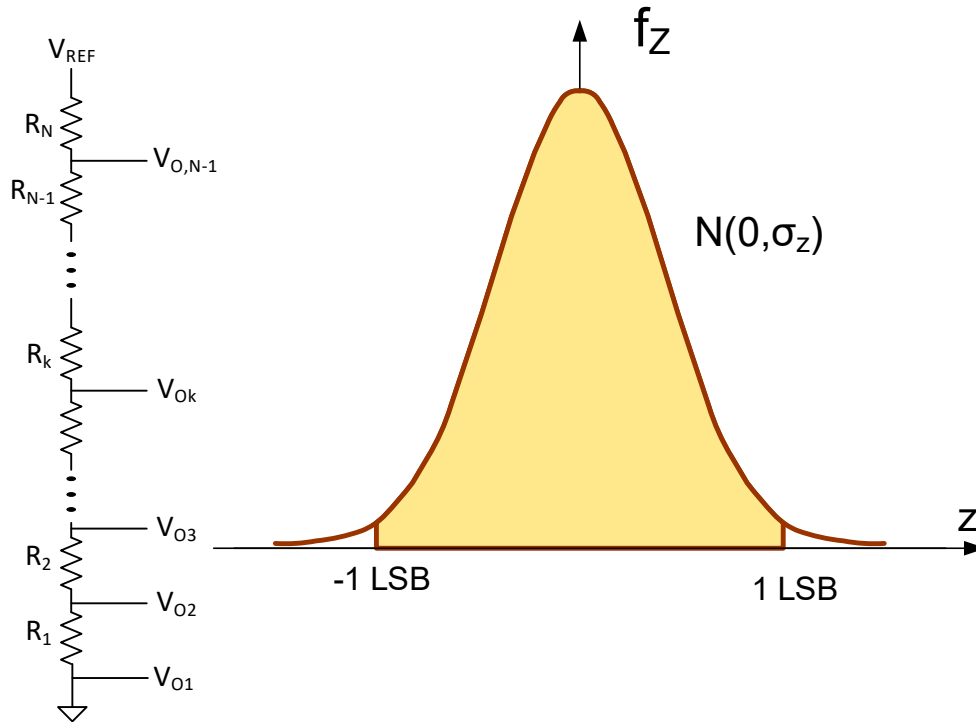
Assume  $f_z$  is the PDF of  $z$

Solution strategy: Obtain  $\sigma_z$ , then solve above equation for  $\sigma_{\frac{R}{R_N}}$

and then solve  $\sigma_{\frac{R}{R_N}}$  for  $A$ : 
$$\sigma_{\frac{R}{R_N}} = \frac{A_R}{\sqrt{WL}} = \frac{A_R}{\sqrt{A}}$$

# Example 1:

Determine the resistor area  $A$  to achieve this yield



Want to determine  $A$  so that

$$0.99 = \int_{-1\text{LSB}}^{1\text{LSB}} f_z(z) dz$$

Define:  $z_N = \frac{z}{\sigma_z}$        $z_{N1} = \frac{1\text{LSB}}{\sigma_z}$

$$z_N \sim N(0,1)$$

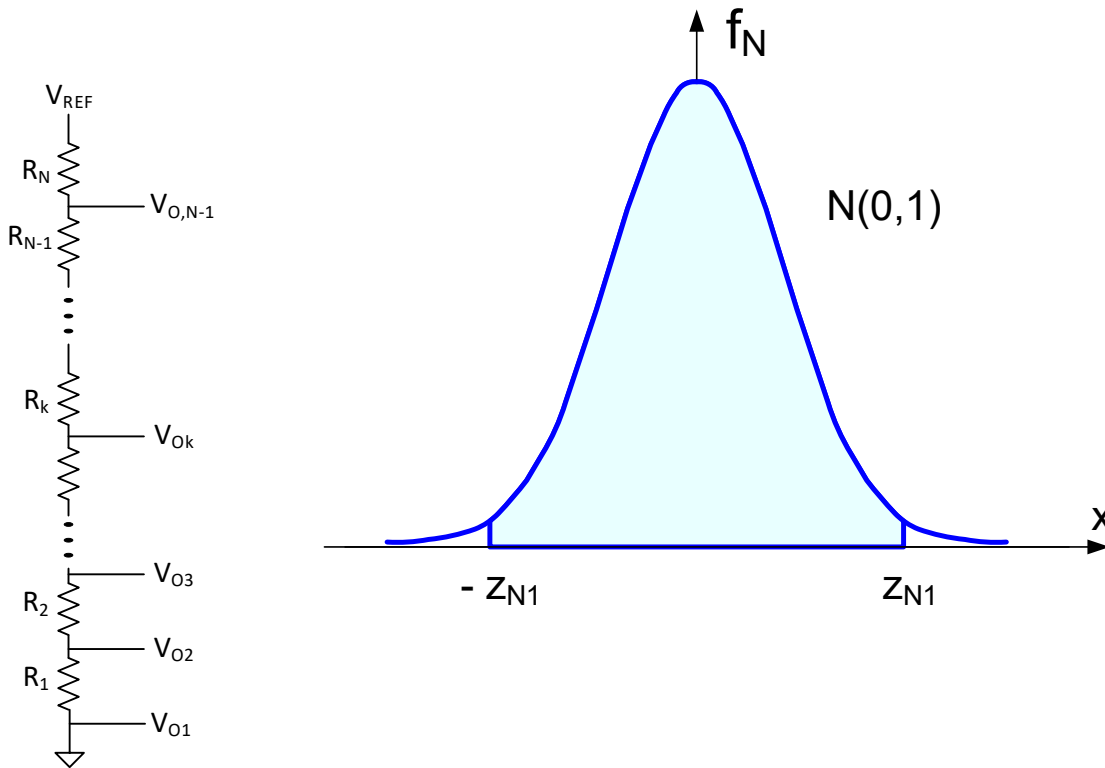
Notation: pdf of  $z_N$  is  $f_N(z_N)$

By change of variables, want

$$0.99 = \int_{-z_{N1}}^{z_{N1}} f_N(z) dz$$

# Example 1:

Determine the resistor area  $A$  to achieve this yield



$$0.99 = \int_{-z_{N1}}^{z_{N1}} f_N(z) dz$$

$$0.99 = 2F_N(z_{N1}) - 1$$

$$F_N(z_{N1}) = 0.995$$

$$F_N(z_{N1}) = 0.995$$

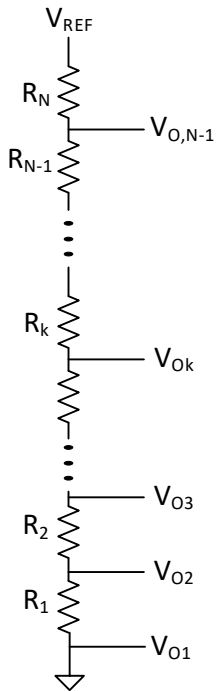


$$z_{N1} = 2.575$$

z	0.00	0.01	0.02	0.03	0.04	0.05	0.06	0.07	0.08	0.09
0.0	0.5000	0.5040	0.5080	0.5120	0.5160	0.5199	0.5239	0.5279	0.5319	0.5359
0.1	0.5398	0.5438	0.5478	0.5517	0.5557	0.5596	0.5636	0.5675	0.5714	0.5753
0.2	0.5793	0.5832	0.5871	0.5910	0.5948	0.5987	0.6026	0.6064	0.6103	0.6141
0.3	0.6179	0.6217	0.6255	0.6293	0.6331	0.6368	0.6406	0.6443	0.6480	0.6517
0.4	0.6554	0.6591	0.6628	0.6664	0.6700	0.6736	0.6772	0.6808	0.6844	0.6879
0.5	0.6915	0.6950	0.6985	0.7019	0.7054	0.7088	0.7123	0.7157	0.7190	0.7224
0.6	0.7257	0.7291	0.7324	0.7357	0.7389	0.7422	0.7454	0.7486	0.7517	0.7549
0.7	0.7580	0.7611	0.7642	0.7673	0.7703	0.7734	0.7764	0.7794	0.7823	0.7852
0.8	0.7881	0.7910	0.7939	0.7967	0.7995	0.8023	0.8051	0.8078	0.8106	0.8133
0.9	0.8159	0.8186	0.8212	0.8238	0.8264	0.8289	0.8315	0.8340	0.8365	0.8389
1.0	0.8413	0.8438	0.8461	0.8485	0.8508	0.8531	0.8554	0.8577	0.8599	0.8621
1.1	0.8643	0.8665	0.8686	0.8708	0.8729	0.8749	0.8770	0.8790	0.8810	0.8830
1.2	0.8849	0.8869	0.8888	0.8907	0.8925	0.8944	0.8962	0.8980	0.8997	0.90147
1.3	0.90320	0.90490	0.90658	0.90824	0.90988	0.91149	0.91309	0.91466	0.91621	0.91774
1.4	0.91924	0.92073	0.92220	0.92364	0.92507	0.92647	0.92785	0.92922	0.93056	0.93189
1.5	0.93319	0.93448	0.93574	0.93699	0.93822	0.93943	0.94062	0.94179	0.94295	0.94408
1.6	0.94520	0.94630	0.94738	0.94845	0.94950	0.95053	0.95154	0.95254	0.95352	0.95449
1.7	0.95543	0.95637	0.95728	0.95818	0.95907	0.95994	0.96080	0.96164	0.96246	0.96327
1.8	0.96407	0.96485	0.96562	0.96638	0.96712	0.96784	0.96856	0.96926	0.96995	0.97062
1.9	0.97128	0.97193	0.97257	0.97320	0.97381	0.97441	0.97500	0.97558	0.97615	0.97670
2.0	0.97725	0.97778	0.97831	0.97882	0.97932	0.97982	0.98030	0.98077	0.98124	0.98169
2.1	0.98214	0.98257	0.98300	0.98341	0.98382	0.98422	0.98461	0.98500	0.98537	0.98574
2.2	0.98610	0.98645	0.98679	0.98713	0.98745	0.98778	0.98809	0.98840	0.98870	0.98899
2.3	0.98928	0.98956	0.98983	0.9 <sup>2</sup> 0097	0.9 <sup>2</sup> 0358	0.9 <sup>2</sup> 0613	0.9 <sup>2</sup> 0863	0.9 <sup>2</sup> 1106	0.9 <sup>2</sup> 1344	0.9 <sup>2</sup> 1576
2.4	0.9 <sup>2</sup> 1802	0.9 <sup>2</sup> 2024	0.9 <sup>2</sup> 2240	0.9 <sup>2</sup> 2451	0.9 <sup>2</sup> 2656	0.9 <sup>2</sup> 2857	0.9 <sup>2</sup> 3053	0.9 <sup>2</sup> 3244	0.9 <sup>2</sup> 3431	0.9 <sup>2</sup> 3613
2.5	0.9 <sup>2</sup> 3790	0.9 <sup>2</sup> 3963	0.9 <sup>2</sup> 4132	0.9 <sup>2</sup> 4297	0.9 <sup>2</sup> 4457	0.9 <sup>2</sup> 4614	0.9 <sup>2</sup> 4766	0.9 <sup>2</sup> 4915	0.9 <sup>2</sup> 5060	0.9 <sup>2</sup> 5201
2.6	0.9 <sup>2</sup> 5339	0.9 <sup>2</sup> 5473	0.9 <sup>2</sup> 5604	0.9 <sup>2</sup> 5731	0.9 <sup>2</sup> 5855	0.9 <sup>2</sup> 5975	0.9 <sup>2</sup> 6093	0.9 <sup>2</sup> 6207	0.9 <sup>2</sup> 6319	0.9 <sup>2</sup> 6427
2.7	0.9 <sup>2</sup> 6533	0.9 <sup>2</sup> 6636	0.9 <sup>2</sup> 6736	0.9 <sup>2</sup> 6833	0.9 <sup>2</sup> 6928	0.9 <sup>2</sup> 7020	0.9 <sup>2</sup> 7110	0.9 <sup>2</sup> 7197	0.9 <sup>2</sup> 7282	0.9 <sup>2</sup> 7365
2.8	0.9 <sup>2</sup> 7445	0.9 <sup>2</sup> 7523	0.9 <sup>2</sup> 7599	0.9 <sup>2</sup> 7673	0.9 <sup>2</sup> 7744	0.9 <sup>2</sup> 7814	0.9 <sup>2</sup> 7882	0.9 <sup>2</sup> 7948	0.9 <sup>2</sup> 8012	0.9 <sup>2</sup> 8074
2.9	0.9 <sup>2</sup> 8134	0.9 <sup>2</sup> 8193	0.9 <sup>2</sup> 8250	0.9 <sup>2</sup> 8305	0.9 <sup>2</sup> 8359	0.9 <sup>2</sup> 8411	0.9 <sup>2</sup> 8462	0.9 <sup>2</sup> 8511	0.9 <sup>2</sup> 8559	0.9 <sup>2</sup> 8605
3.0	0.9 <sup>2</sup> 8650	0.9 <sup>2</sup> 8694	0.9 <sup>2</sup> 8736	0.9 <sup>2</sup> 8777	0.9 <sup>2</sup> 8817	0.9 <sup>2</sup> 8856	0.9 <sup>2</sup> 8893	0.9 <sup>2</sup> 8930	0.9 <sup>2</sup> 8965	0.9 <sup>2</sup> 8999

# Example 1:

Determine the resistor area  $A$  to achieve this yield



$$\left. \begin{aligned} Z_{N1} &= 2.575 \\ Z_{N1} &= \frac{1 \text{ LSB}}{\sigma_z} \end{aligned} \right\} \longrightarrow \sigma_z = 0.388$$

but

$$\sigma_z = \sigma_{\frac{R}{R_N}} \cdot \frac{\sqrt{N}}{2} = \frac{A_p}{\sqrt{A}} \cdot \frac{\sqrt{N}}{2}$$

$$0.388 = \frac{A_p}{\sqrt{A}} \cdot \frac{\sqrt{N}}{2}$$

$$N = 127 \text{ and } A_p = 0.1 \mu\text{m}$$

Solving, obtain

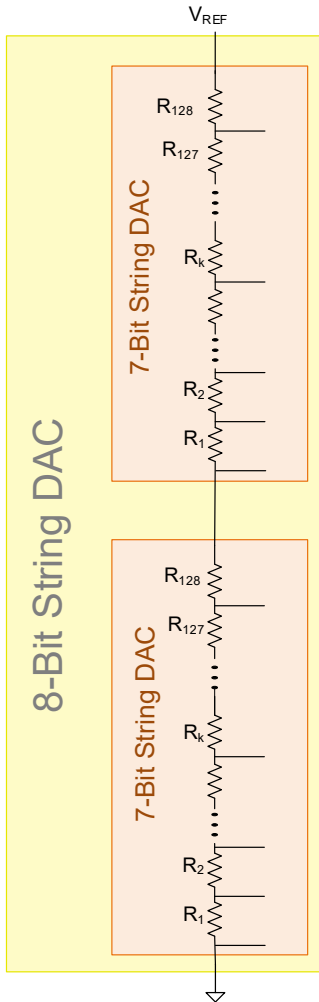
$$A = 2.13 \mu\text{m}^2$$

$$\sigma_{\frac{R}{R_N}} = 0.0685$$



**Example 2:** Consider an 8-bit DAC obtained by combining 2 of the 7-bit DACs

Determine the yield if the specification is still  $|INL_{kMAX}| < 1 \text{ LSB}$



Define  $z = INL_{kMAX}$

$$\sigma_z = \sigma_{\frac{R}{R_N}} \cdot \frac{\sqrt{N}}{2}$$

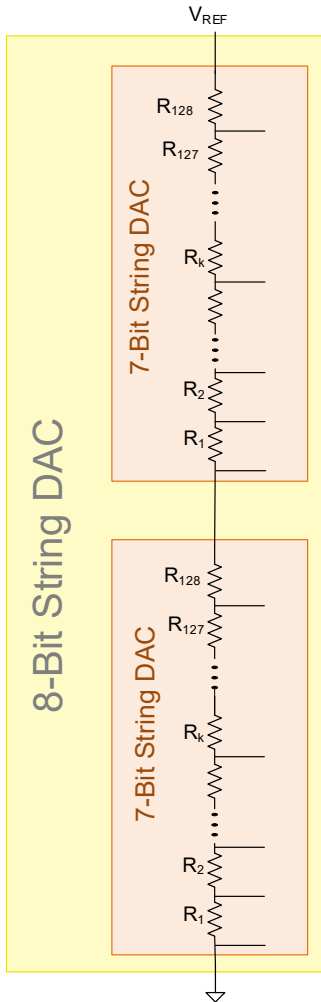
Since same resistors are used,  $\sigma_{\frac{R}{R_N}} = 0.0685$

$$\sigma_z = 0.0685 \cdot \frac{\sqrt{256}}{2} = 0.5488$$

$$Y = \int_{-1\text{LSB}}^{1\text{LSB}} f_z(z) dz$$

**Example 2:** Consider an 8-bit DAC obtained by combining 2 of the 7-bit DACs

Determine the yield if the specification is still  $|INL_{kMAX}| < 1 \text{ LSB}$

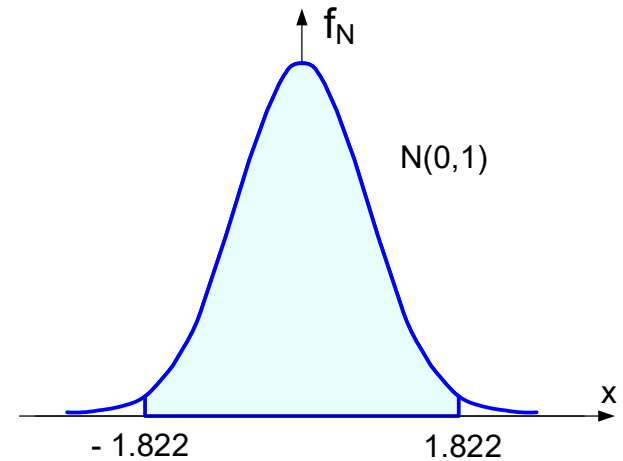


$$Y = \int_{-1\text{LSB}}^{1\text{LSB}} f_z(z) dz$$

Define  $z_N = \frac{z}{\sigma_z}$

$$z_N = \frac{1 \text{ LSB}}{0.5488} = 1.822$$

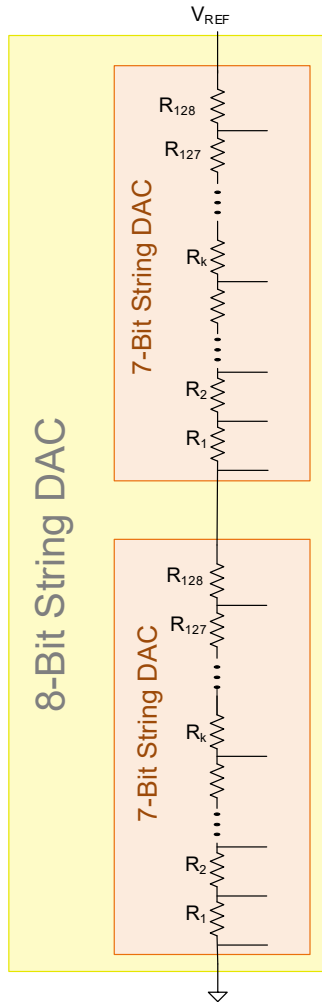
$$Y = 2F_N(1.822) - 1$$



$$F(0.822) = 0.9656$$

z	0.00	0.01	0.02	0.03	0.04	0.05	0.06	0.07	0.08	0.09
0.0	0.5000	0.5040	0.5080	0.5120	0.5160	0.5199	0.5239	0.5279	0.5319	0.5359
0.1	0.5398	0.5438	0.5478	0.5517	0.5557	0.5596	0.5636	0.5675	0.5714	0.5753
0.2	0.5793	0.5832	0.5871	0.5910	0.5948	0.5987	0.6026	0.6064	0.6103	0.6141
0.3	0.6179	0.6217	0.6255	0.6293	0.6331	0.6368	0.6406	0.6443	0.6480	0.6517
0.4	0.6554	0.6591	0.6628	0.6664	0.6700	0.6736	0.6772	0.6808	0.6844	0.6879
0.5	0.6915	0.6950	0.6985	0.7019	0.7054	0.7088	0.7123	0.7157	0.7190	0.7224
0.6	0.7257	0.7291	0.7324	0.7357	0.7389	0.7422	0.7454	0.7486	0.7517	0.7549
0.7	0.7580	0.7611	0.7642	0.7673	0.7703	0.7734	0.7764	0.7794	0.7823	0.7852
0.8	0.7881	0.7910	0.7939	0.7967	0.7995	0.8023	0.8051	0.8078	0.8106	0.8133
0.9	0.8159	0.8186	0.8212	0.8238	0.8264	0.8289	0.8315	0.8340	0.8365	0.8389
1.0	0.8413	0.8438	0.8461	0.8485	0.8508	0.8531	0.8554	0.8577	0.8599	0.8621
1.1	0.8643	0.8665	0.8686	0.8708	0.8729	0.8749	0.8770	0.8790	0.8810	0.8830
1.2	0.8849	0.8869	0.8888	0.8907	0.8925	0.8944	0.8962	0.8980	0.8997	0.90147
1.3	0.90320	0.90490	0.90658	0.90824	0.90988	0.91149	0.91309	0.91466	0.91621	0.91774
1.4	0.91924	0.92073	0.92220	0.92364	0.92507	0.92647	0.92785	0.92922	0.93056	0.93189
1.5	0.93319	0.93448	0.93574	0.93699	0.93822	0.93943	0.94062	0.94179	0.94295	0.94408
1.6	0.94520	0.94630	0.94738	0.94845	0.94950	0.95053	0.95154	0.95254	0.95352	0.95449
1.7	0.95543	0.95637	0.95728	0.95818	0.95907	0.95994	0.96080	0.96164	0.96246	0.96327
1.8	0.96407	0.96485	0.96562	0.96638	0.96712	0.96784	0.96856	0.96926	0.96995	0.97062
1.9	0.97128	0.97193	0.97257	0.97320	0.97381	0.97441	0.97500	0.97558	0.97615	0.97670
2.0	0.97725	0.97778	0.97831	0.97882	0.97932	0.97982	0.98030	0.98077	0.98124	0.98169
2.1	0.98214	0.98257	0.98300	0.98341	0.98382	0.98422	0.98461	0.98500	0.98537	0.98574
2.2	0.98610	0.98645	0.98679	0.98713	0.98745	0.98778	0.98809	0.98840	0.98870	0.98899
2.3	0.98928	0.98956	0.98983	0.9 <sup>2</sup> 0097	0.9 <sup>2</sup> 0358	0.9 <sup>2</sup> 0613	0.9 <sup>2</sup> 0863	0.9 <sup>2</sup> 1106	0.9 <sup>2</sup> 1344	0.9 <sup>2</sup> 1576
2.4	0.9 <sup>2</sup> 1802	0.9 <sup>2</sup> 2024	0.9 <sup>2</sup> 2240	0.9 <sup>2</sup> 2451	0.9 <sup>2</sup> 2656	0.9 <sup>2</sup> 2857	0.9 <sup>2</sup> 3053	0.9 <sup>2</sup> 3244	0.9 <sup>2</sup> 3431	0.9 <sup>2</sup> 3613
2.5	0.9 <sup>2</sup> 3790	0.9 <sup>2</sup> 3963	0.9 <sup>2</sup> 4132	0.9 <sup>2</sup> 4297	0.9 <sup>2</sup> 4457	0.9 <sup>2</sup> 4614	0.9 <sup>2</sup> 4766	0.9 <sup>2</sup> 4915	0.9 <sup>2</sup> 5060	0.9 <sup>2</sup> 5201
2.6	0.9 <sup>2</sup> 5339	0.9 <sup>2</sup> 5473	0.9 <sup>2</sup> 5604	0.9 <sup>2</sup> 5731	0.9 <sup>2</sup> 5855	0.9 <sup>2</sup> 5975	0.9 <sup>2</sup> 6093	0.9 <sup>2</sup> 6207	0.9 <sup>2</sup> 6319	0.9 <sup>2</sup> 6427
2.7	0.9 <sup>2</sup> 6533	0.9 <sup>2</sup> 6636	0.9 <sup>2</sup> 6736	0.9 <sup>2</sup> 6833	0.9 <sup>2</sup> 6928	0.9 <sup>2</sup> 7020	0.9 <sup>2</sup> 7110	0.9 <sup>2</sup> 7197	0.9 <sup>2</sup> 7282	0.9 <sup>2</sup> 7365
2.8	0.9 <sup>2</sup> 7445	0.9 <sup>2</sup> 7523	0.9 <sup>2</sup> 7599	0.9 <sup>2</sup> 7673	0.9 <sup>2</sup> 7744	0.9 <sup>2</sup> 7814	0.9 <sup>2</sup> 7882	0.9 <sup>2</sup> 7948	0.9 <sup>2</sup> 8012	0.9 <sup>2</sup> 8074
2.9	0.9 <sup>2</sup> 8134	0.9 <sup>2</sup> 8193	0.9 <sup>2</sup> 8250	0.9 <sup>2</sup> 8305	0.9 <sup>2</sup> 8359	0.9 <sup>2</sup> 8411	0.9 <sup>2</sup> 8462	0.9 <sup>2</sup> 8511	0.9 <sup>2</sup> 8559	0.9 <sup>2</sup> 8605
3.0	0.9 <sup>2</sup> 8650	0.9 <sup>2</sup> 8694	0.9 <sup>2</sup> 8736	0.9 <sup>2</sup> 8777	0.9 <sup>2</sup> 8817	0.9 <sup>2</sup> 8856	0.9 <sup>2</sup> 8893	0.9 <sup>2</sup> 8930	0.9 <sup>2</sup> 8965	0.9 <sup>2</sup> 8999

**Example 2:** Consider an 8-bit DAC obtained by combining 2 of the 7-bit DACs



$$Y = 2F_N(1.822) - 1$$

$$Y = 2 \cdot 0.965 - 1 = 0.93$$

Yield has dropped from 99% to 93%

**Example 3:** What area is needed for obtaining a 99% yield for an 8-bit string DAC and how does that compare to the area required for a 7-bit DAC with the same yield?

For 99% yield

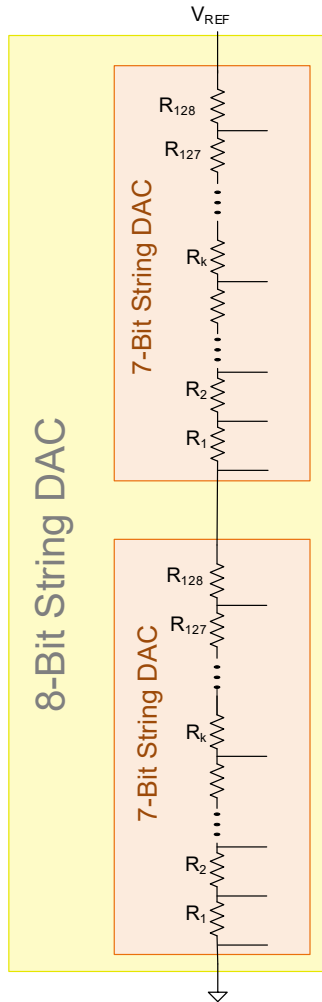
$$\sigma_z = \sigma_{\frac{R}{R_N}} \cdot \frac{\sqrt{N}}{2} = \frac{A_p}{\sqrt{A}} \cdot \frac{\sqrt{N}}{2} = 0.388$$

$$\frac{A_p}{\sqrt{A}} \cdot \frac{\sqrt{N}}{2} = 0.388$$

$$A_p = 0.1 \mu\text{m} \quad N = 256$$

$$A = 4.25 \mu\text{m}^2$$

Area doubled because there are twice as many resistors and each is approximately twice as big so by adding 1-bit of resolution, the area went up by approximately a factor of 4



# String DAC Statistical Performance

How about statistics for the INL?

$$\text{INL} = \max_{1 < k < N} |\text{INL}_k|$$

$$\text{INL}_k = \frac{1}{R_{NOM}} \left[ \sum_{j=1}^k R_{Rj} \left( 1 - \frac{k}{N-1} \right) - \frac{k}{N-1} \sum_{j=k+1}^{N-1} R_{Rj} \right] \quad 1 \leq k \leq N-1$$

- INL is an order statistic
- Distribution functions for order statistics are very complicated and closed form solutions do not exist !
- INL is not zero-mean and not Gaussian
- Statistical simulations using Monte-Carlo analysis often used to predict INL yield but these simulations can be extremely time consuming if the order of the data converter is very large

# How important is statistical analysis?

- Statistical analysis of data converters is critical
- Some architectures are more sensitive than others to statistical variations in components
- The onset of yield loss due to statistical limitations is generally quite abrupt and can have disastrous effects if not considered as part of the design process

Recall examples where  $\sigma_{VOS}=5\text{mV}$  compared with  $\sigma_{VOS}=1\text{mV}$

- Substantially over-designing to avoid concerns about statistical yield loss is not a practical solution since the area penalty, the speed penalty, and the power penalty are generally quite severe

For the effects of local random variations of a parameter  $X$ , generally

$$\sigma_X \propto \frac{A_0}{\sqrt{A_C}}$$

where  $A_C$  is the area of the matching critical components and  $A_0$  is a process parameter



Stay Safe and Stay Healthy !



End of Lecture 39